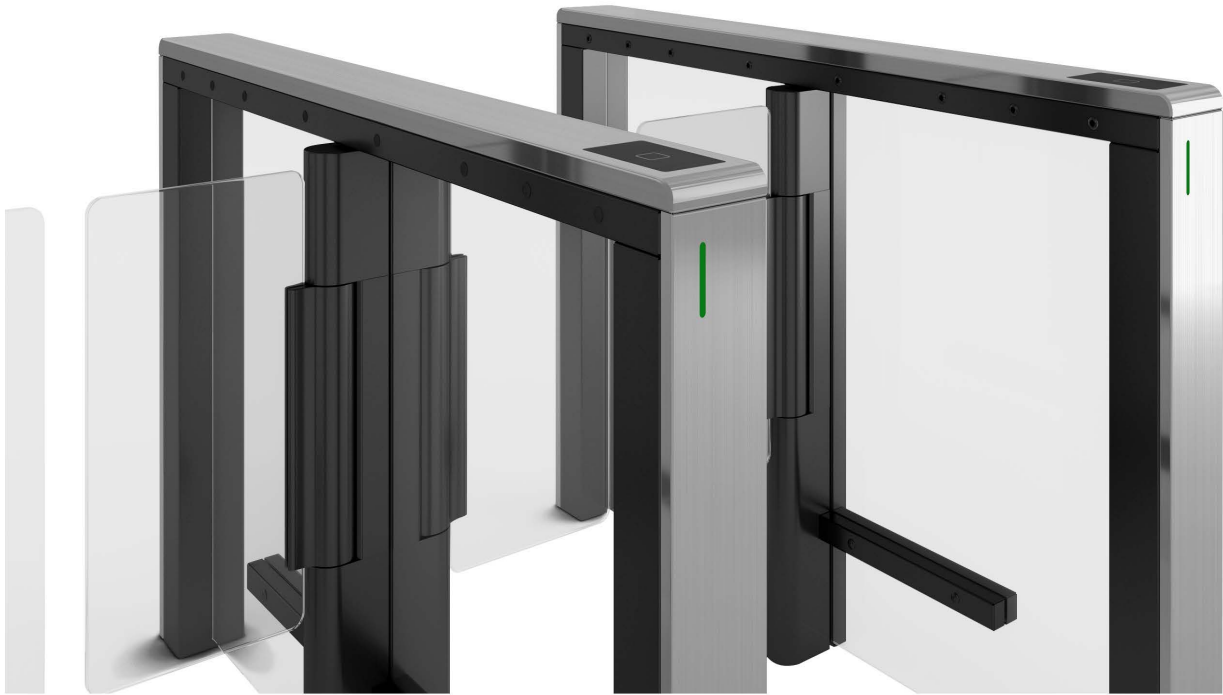


# Argus S 20 Sensor Barrier

## Simple, practical, efficient



### Slim yet robust design

With a combination of stainless steel and galvanised steel, coupled with a slim and minimalist design, you can be assured of the integrity of the unit under even the busiest and most demanding installation and deployment.

### People flow control solution

Our solution allows individuals to move between and within buildings such as offices effectively provides safety, comfort, smooth passage, and without delay.

### Ease of installation and maintenance

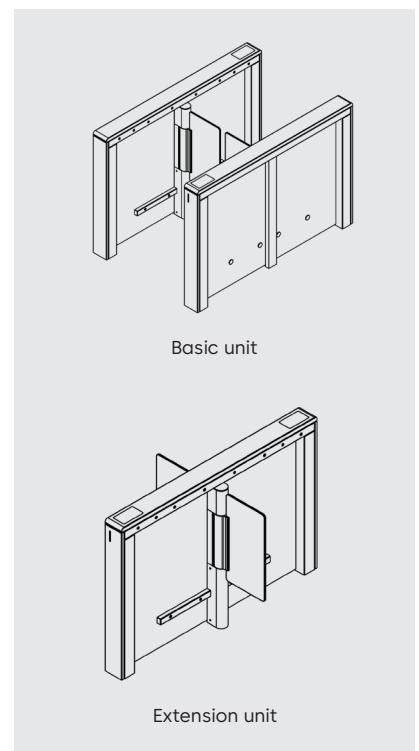
With easy step-by-step user manuals and assembly guides, with the on-board system interface the Argus S 20 sensor barrier can be easily installed and configured to your requirements. Option of PAVIS software for installers to customize more detailed parameters in the unit.

### Quiet motion

At the lobby or in the offices where discussions and meetings are conducted on a daily basis. With our latest quiet motion motor that keep the mechanical noise to a minimum, thus resulting a peaceful and quiet atmosphere that are essential for the space.

### Safety, emergency & escape

With multiple sensors and intuitive control to ensure user safety, the unit can be integrated with the fire alarm panel to ensure the door swing opens in the event of fire. The door wing will unlock when the power is cut off in the event of flood or earthquake.



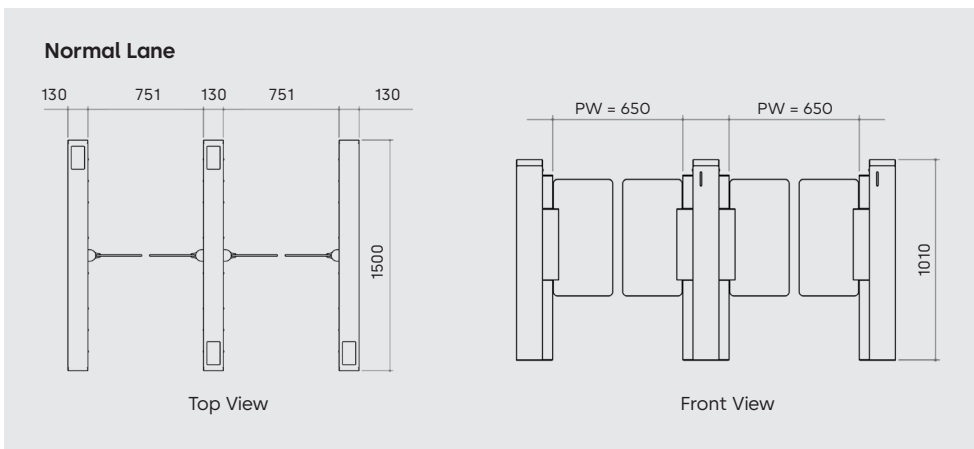
## Factsheet

# Features

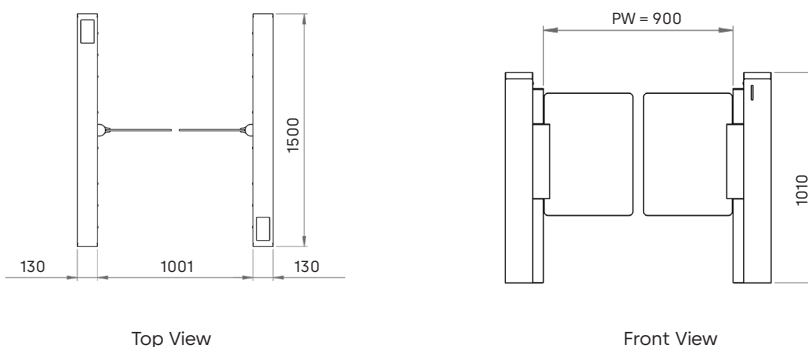
## Argus S 20 Sensor Barrier

<b>Construction</b>	Interlock height	1010 mm
	Interlock length	1500mm
	Passage width	650 mm
	Total width	1011 mm
	Housing, base columns & guiding element Sensors	Galvanised & Stainless Steel 304 / toughened glass in guiding rail Infrared sensors in horizontal configuration at the leg & hips area
<b>Finishes</b>	Galvanised powder coated P190 Black with Stainless Steel hairline finishes	
<b>Function</b>	Drivers	Type 2 (integrated in the swing tube) Passage area monitored by people flow sensors at the leg and hip area (people flow monitoring of the single passage in both directions, including detection of entry from the opposite direction).
	Operation modes	Basic position closed. Door wing opens in the direction of passage, once unauthorised, then closes again.
	Noise emission	< 70 dB(A) according to Directive 2006/42/EC (measured value: 51.3 dB)
<b>Electrical components</b>	Position	Control system and power supply integrated in the unit
	Power supply	100 - 240 VAC, 50/60 Hz
	Power consumption	16 VA*
	In case of power failure	Door wing moves freely
<b>Installation</b>	Dowelled on finished floor level FFL Not suitable for outdoor installation	

\*Standardized cycle with 1,000 passes per day and standby operation in between.



### Wide Lane



**Any questions? We would be happy to advise you.**

**dormakaba Singapore Pte Ltd**

Tel | +65 6268 7633

**dormakaba Malaysia Snd Bhd**

Tel | +603 8081 8009

**PT. dormakaba Access Indonesia**

Tel | +62 21 2930 3762

**dormakaba Philippines Inc.**

Tel | +632 8893 4077

**dormakaba (Thailand) Limited**

Tel | +66 2059 2612

**dormakaba Tokyo**

Tel | +81 3 6327 2010

**dormakaba Osaka**

Tel | +81 6 4790 7560

**dormakaba Korea Inc.**

Tel | +82 2 6956 4382

**dormakaba Vietnam Rep Office**

Tel | +84 8 6299 8272